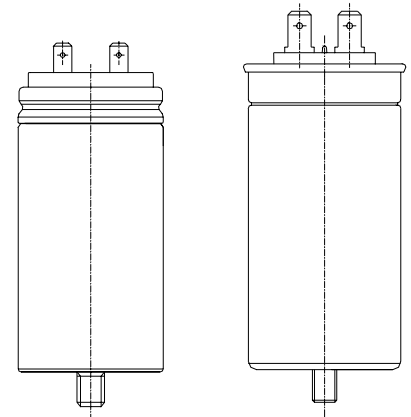


Reference standards :
IEC 60831-1, IEC 60831-2
PROTECTED 10000 AFC -25 ...+70°C
UL 810 APPROVED (*)



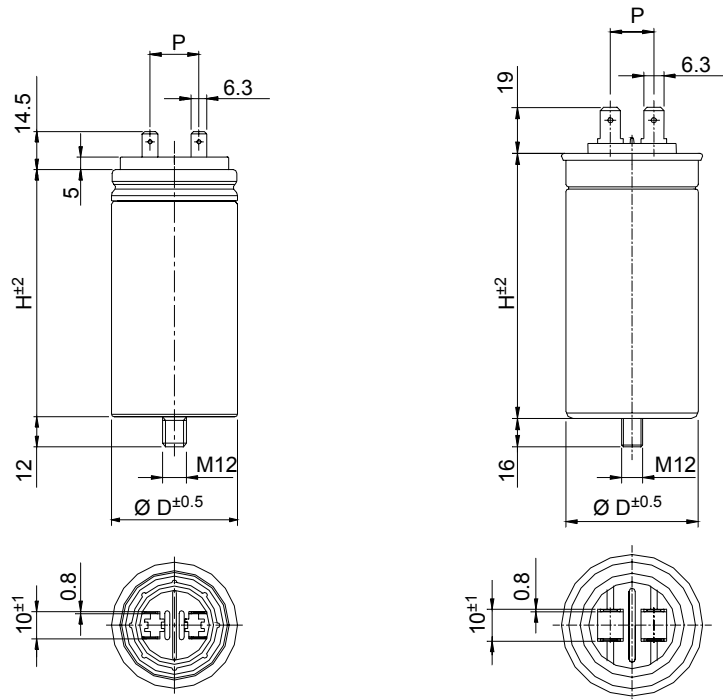
TECHNICAL DATA

Service:	Continuous
Operating temperature:	-25 ... +55°C
Storage temperature	-40 ... +90°C
Rated Voltage V _{AC} :	320 Vac; 415 Vac; 440Vac; 525 Vac
Nominal frequency (Hz.):	50 - 60 Hz
Max dv/dt:	30 V/μs
Max admissible tension:	temporarily 1.1 times the nominal voltage 8 hours/24 hours
Life expectancy at nominal voltage	30.000 hours with (ΔC/C>5%) at the operating temperature
Max dissipation Factor (tgδ):	10x10 ⁻⁴ at 20°C and 50 Hz.
Tolerance (ΔC):	-5 ... +15%
Assembling	Whatever position
Case:	Aluminum case
Dielectric:	Metallized polypropylene
Voltage tests	
Between terminals	2,15 Vn for 2 s
Between terminals and case	3600 V for 2 s
Air distance	
Between live parts	≥ 5 mm
Between live parts and case	≥ 6 mm
Vibration test:	IEC 68-2-6
Safety:	Overpressure safety device

Statements of suitability for certain applications are based on our knowledge of typical operating conditions for such applications, but are not intended to constitute – and we specifically disclaim – any warranty concerning suitability for a specific customer application or use. This Information is intended for use only by customers who have the requisite experience and capability to determine the correct products for their application. Any technical advice inferred from this Information or otherwise provided by us with reference to the use of our products is given gratis, and we assume no obligation or liability for the advice given or results obtained.

TEST VOLTAGE TABLE

U_{RMS} Vac	Test Voltage Vac (2s)	U_{RMS} max Vac
320	640	375
415	830	460



Code	C µF	Un Vdc	U_{RMS} Vac	I_{RMS} A	I_{PKR} A	Case			Style
						D	H	P	
C930ZG35500ZA0X	50	400	320	4.5	1250	60	98	18.8	1
C930ZG35700ZA0X	70	400	320	9.1	1750	60	98	18.8	1
C930ZG36100ZA0X	100	400	320	13.0	2500	60	133	18.8	1
C931ZG35100ZA0X	10	600	415	1.7	250	40	78	13.4	1
C931ZG35300ZA0X	30	600	415	5.0	750	60	98	18.8	1
C931ZG35470ZA0X	47	600	415	8.5	1250	60	98	18.8	1
C931ZG35600ZA0X	60	600	415	10.1	1500	60	133	18.8	1
C931ZG35830ZA0X	83	600	415	13.5	2000	60	133	15.0	2
C931ZG36100ZA0X	100	600	415	16.9	2500	75	150	15.0	2

Statements of suitability for certain applications are based on our knowledge of typical operating conditions for such applications, but are not intended to constitute – and we specifically disclaim – any warranty concerning suitability for a specific customer application or use. This Information is intended for use only by customers who have the requisite experience and capability to determine the correct products for their application. Any technical advice inferred from this Information or otherwise provided by us with reference to the use of our products is given gratis, and we assume no obligation or liability for the advice given or results obtained.